

Product Manual

GS75

Premium Quality UK-Manufactured
LED Spotlight with extreme weather
protection



CE

Product Summary

The GS75 is a premium quality LED spotlight designed for long term outdoor use. The use of premium quality materials, processes and a built-in protection circuit ensures long life with no degradation in appearance or performance. The spotlights are available in warm white, white and Red/Green/Blue (RGBW) and carry a three year warranty. For ground mounting, an alternative flange is available.

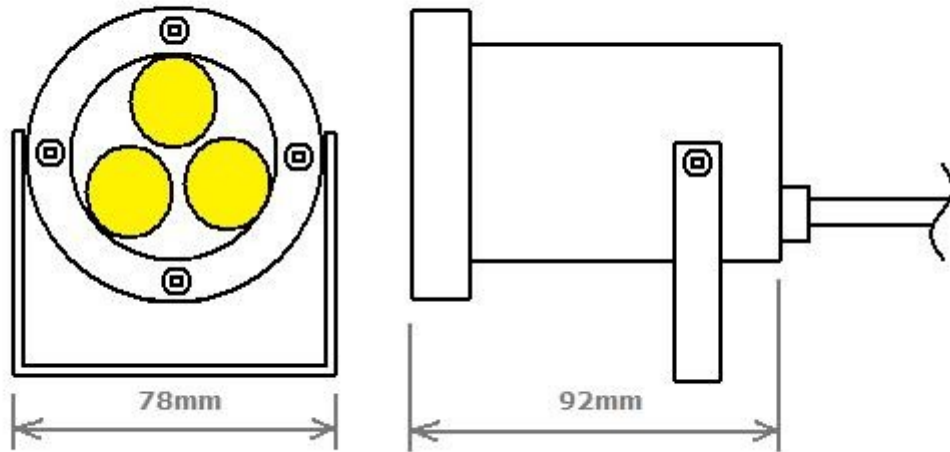
Features

- Precision machined aluminium body, anodized for long term protection
- Powered by a UK-manufactured CREE light engine
- Neoprene seals for long life
- IP67 (IP68 as an option)
- Toughened float glass lens
- Available in white, warm white or RGB/RGBW
- Precision optics ensure tight beam control
- 22W maximum rating
- Automatic shutdown in the event of overtemperature , overvoltage or overcurrent
- Manufactured in the UK

Operating Environment

The unit is intended for indoor or outdoor use. The unit will operate satisfactorily in an ambient temperature range of -25°c to 35°c . If this is exceeded, the unit will shut down to a safe operating level.

Outline Drawing



Wiring The Light

The light is designed to operate from 12v DC. The colour codes are as follows:

RGB Lights

Yellow/Green: +12v

Black: Connect to Blue

Brown: Connect to Red

Grey: Connect to Green

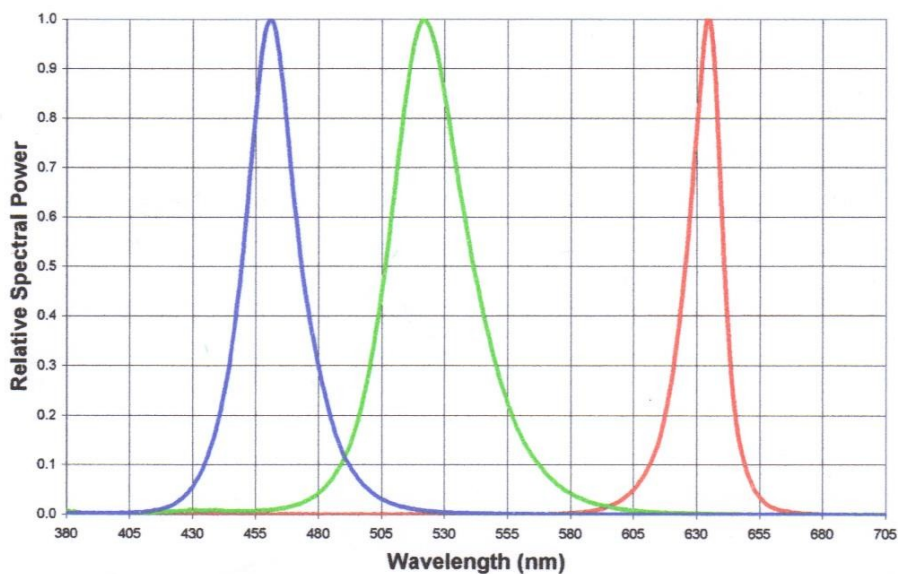
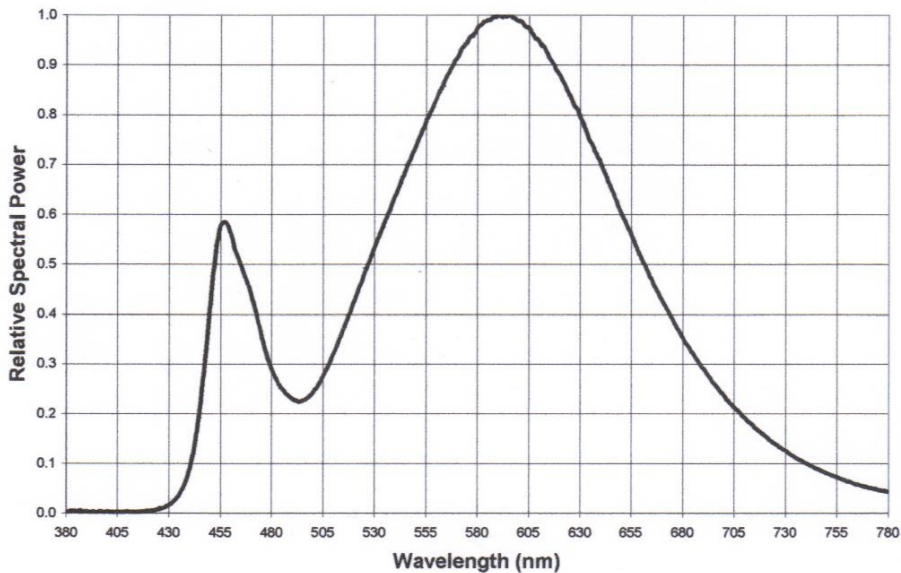
Monochrome Lights

Brown: +12v

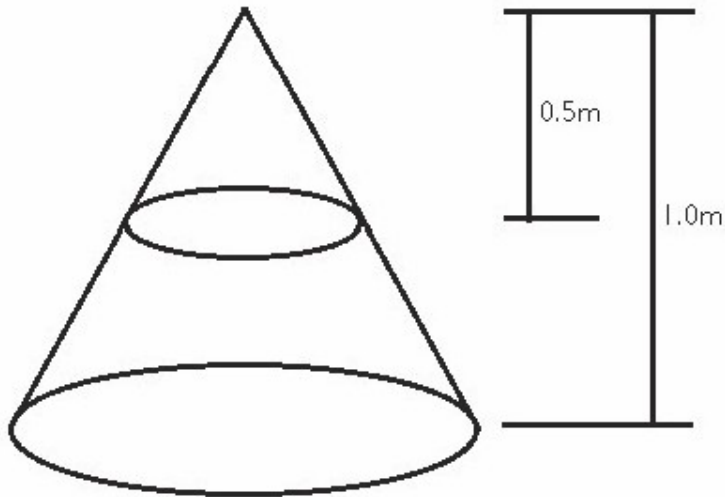
Blue 0v

Spectral Density

The spectral density for warm white and RGB versions are as follows. When using RGB lights to create white, please note that the effect is different to using a dedicated warm white LED. Simulating cool white is more successful.



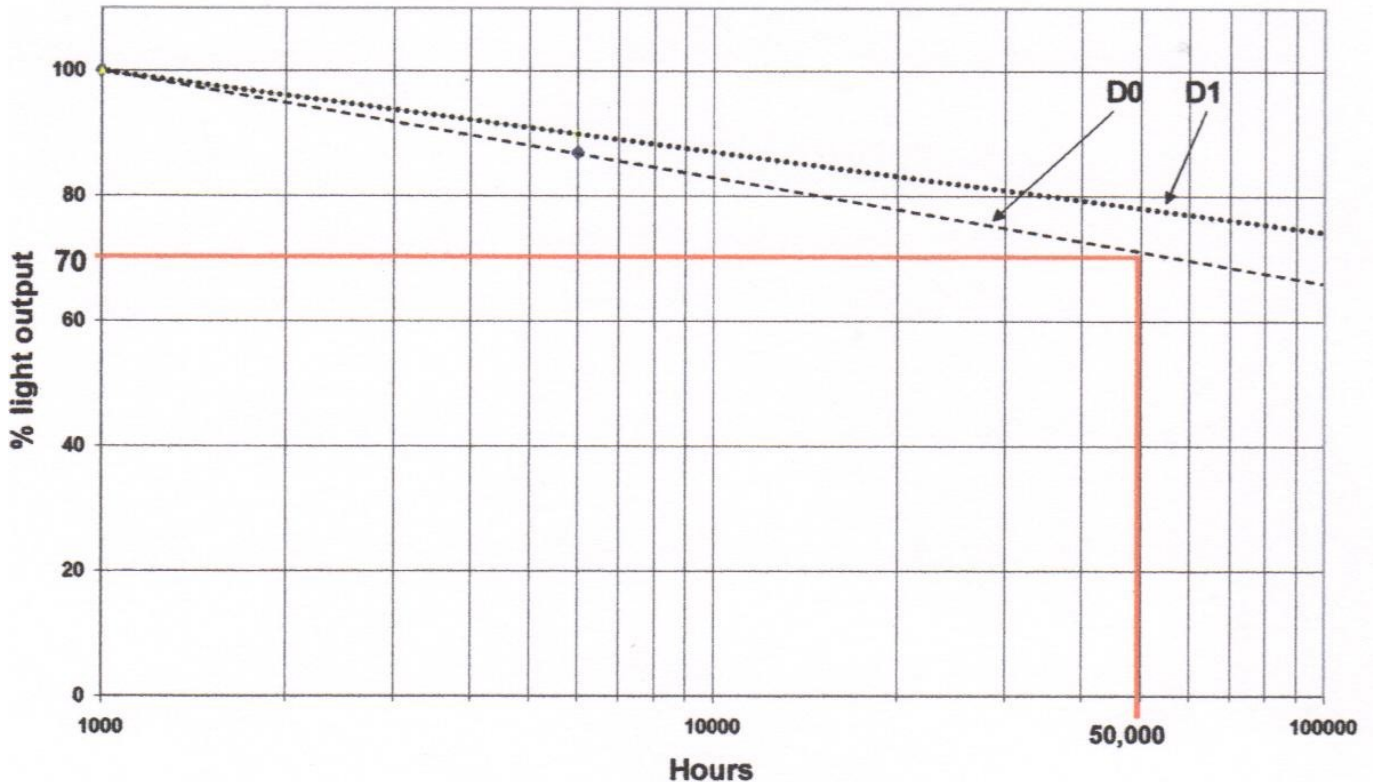
Photometric Measurements



	Lux @ 0.5m	Lux @ 1m
NS80WW	2200Lx	1100Lx
NS80RGB—R	390Lx	140Lx
NS80RGB—G	310Lx	110Lx
NS80RGB—B	700Lx	200Lx

The above measurements were taken from a production GS75 with 25 degree optics fitted.

Lumen Maintenance Graphs



Lumen maintenance for NS80RGB Per LRC LED Life Test Vol1

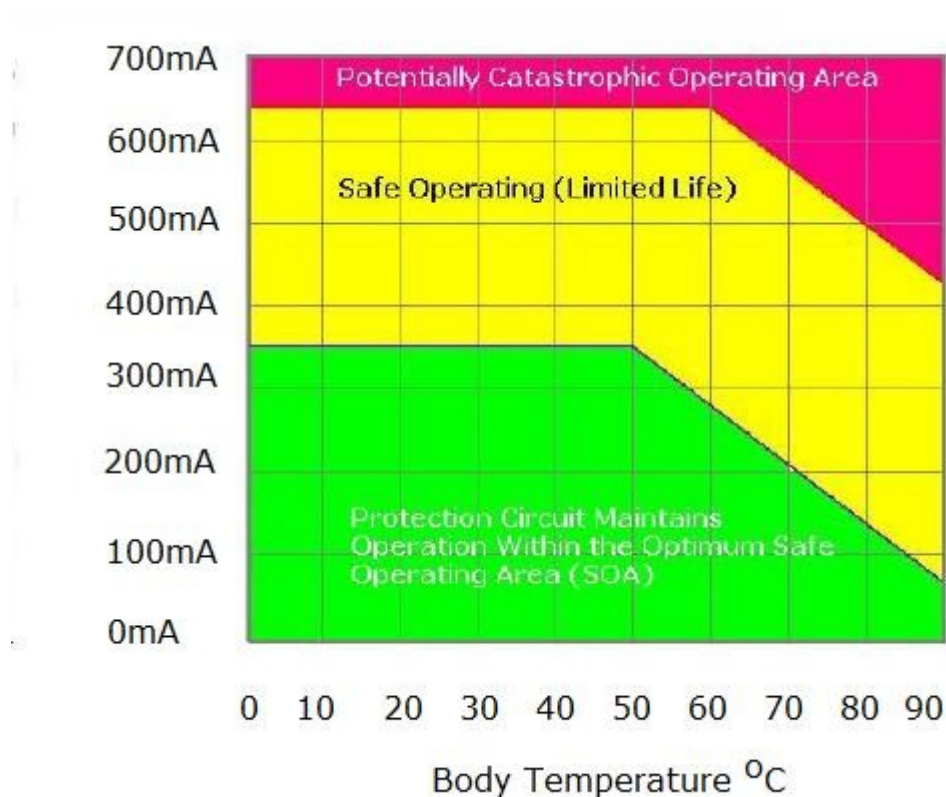
Conventional light sources and LEDs both experience lumen depreciation over time, even when operated within specified conditions. Therefore, when considering the useful life of very long life products lumen depreciation must be taken into account.

Lumen maintenance is dependant on many factors but junction temperature is a major factor. The LEDs used in the GS75 are solidly bolted to the aluminium body for maximum heat transfer.

Protection Circuit

Heat is by far the biggest cause of premature LED failure, so there is a real risk of failure when used outside. Solar radiation can cause the lamp body temperature to exceed 80C, and if the LEDs were operated it would cause their junction temperatures to exceed safe operating limits, drastically limiting their life.

Therefore, the built-in protection circuit monitors temperature and current and in the event of the LED being operated outside of the 'green' zone, the circuit reduces the drive current accordingly.



Warranty

LED Lighting Products Ltd warrants that the product it manufactures and sells will be free from defects in materials and workmanship for a period of 3 years from the date of despatch. If the device proves defective within the respective period, LED Lighting will repair or replace the defective hardware at its sole discretion. If the failure is due to an operator error the user accepts to pay for any charge relating to the diagnosis of the hardware, faulty parts or shipping from our factory.

LED Lighting Products Ltd makes no warranty of any kind, express or implied, including without limitation the implied warranties of merchantability and fitness for a particular purpose. In no event shall LED Lighting Products Ltd be liable for indirect, special or consequential damages.

Opening the unit voids the warranty as described above.

Contact Information

LED Lighting Products Ltd
15 Lincoln Croft
Shenstone
Lichfield
Staffordshire
WS14 0ND
United Kingdom

Tel: +44 1543 481532

Email: sales@ledlightingproducts.co.uk

Website: www.ledlightingproducts.co.uk