
Cromatix Sequencing DMX Controller

Product Datasheet



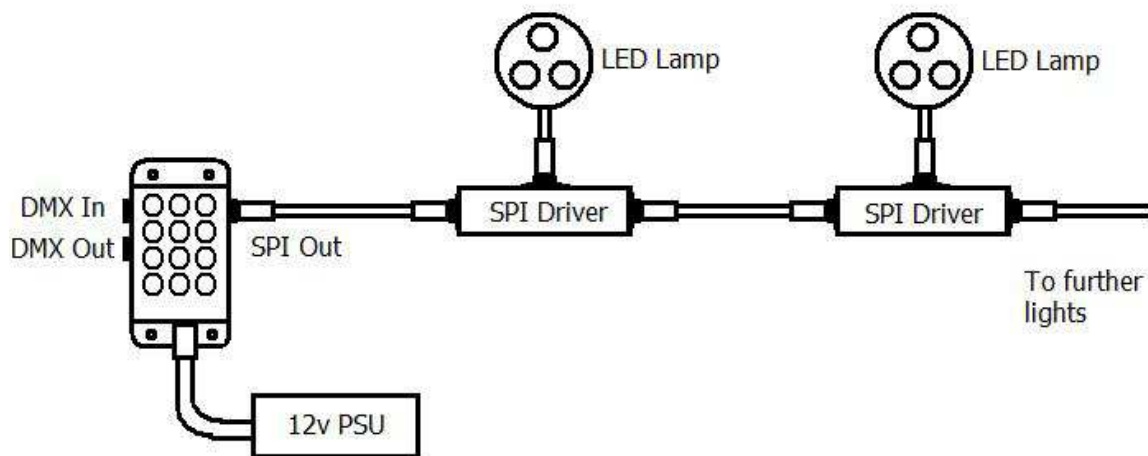
Key Features

- A standalone, ruggedised DMX/SPI sequencing controller
- Controls any RGB DMX or SPI light
- Six built-in colour programmes
- DMX override feature allows DMX input to control lights
- SPI output optimised for the HL6803 LED driver IC
- Convenient flange mounting
- IP44 rated for mounting in a garden shed or garage

Electrical Characteristics

Recommended Operating Voltage	Typical Operating Current	Typ Operating Power (W)
9 - 12vdc	120mA	1.5W

Connection Details



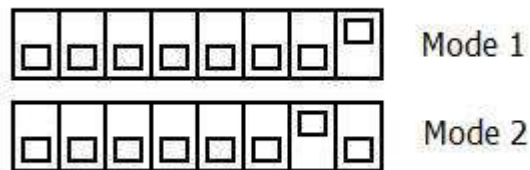
The controller is IP44 rated so can be mounted in a shed or garage. It must not be mounted in a position where it is likely to get wet.

When supplied as part of a kit, the controller will be supplied with the appropriate cables. SPI lights have the advantage that both power and data is supplied via a 4 core cable.

The maximum length of cable between the controller and the first light is 5m, as is the maximum length between lights. The LED lamp cable may be extended upto 20m.

Selecting The Operating Mode

The DMX controller derives its operating mode from the DIP switch located on the circuit board inside the unit. Using a screwdriver, unscrew the four retaining screws to access the circuit board.



Operating Modes

Mode No	Description
1	Standalone mode - lights respond to mode set by the keypad
2	DMX Mode - lights respond to DMX input

Please Note

The DMX mode requires a purpose-made lead, part number SEQ-DMX-IP68. Please contact sales@ledlightingproducts.co.uk to order this part.

Standalone Modes

Mode	Description
Static	Selects static colours the same for all lights. Keep pressing for new colours
Colour Change	Selects a colour change programme for all lights together. Press the red button for warm colours and the blue for cool. To clear the colour setting press the on/off button twice. To speed up or slow down the sequence press and hold the speed + or - button until it beeps.
Flow	This sets a moving rainbow of colours starting that the first light and ending at the last. To speed up or slow down the sequence press and hold the speed + or - button until it beeps
Twinkle	Selects a random flowing effect ideal for shining at snow-laden scenes
Random	Applies a random colour to each light. Keep pressing for new colours
Snap	A sequential effect that feeds a new colour into one end of the chain and keeps it moving along until a new colour is fed in. To speed up or slow down the sequence press and hold the speed + or - button until it beeps.
Fire	Applies a random fire type effect across the sequence of lamps.

Not Quite What You're Looking For?

At LED Lighting products we understand that each user's requirement is different. If you have specific requirements our software engineer can help you with this. Please contact richard@ledlightingproducts.co.uk with details of your specific requirements.

Warranty

36 months unconditional from date of purchase. For product support, please contact info@ledlightingproducts.co.uk

Product Disposal

When you eventually decide to update or upgrade this product, do not dispose of it with your normal household waste or at a local amenity tip. You should either take it to a recycling centre or return it to the retailer from which you bought it where they will arrange for it to be recycled.