

# Stoneleigh

Premium Quality  
Miniature LED  
Spotlight IP67

Ruggedised With  
Extreme Weather  
Protection



Powered By



## Product Summary

Stoneleigh is a premium quality LED garden spotlight designed to add colour and drama to outdoor spaces. The spotlights are available in warm white, cool white, tuneable white and RGBW. All lights in the Stoneleigh range carry a five year warranty. For soft ground mounting, a spike is available.

## Features

- 4.5W Operation
- Fitted with class-leading CREE LEDs
- LEDs are solidly bolted to the heatsink
- All versions includes overtemperature / overcurrent protection
- Cast aluminium body, 20 micron silver anodised
- IP67
- Tough Polycarbonate lens
- Precision optics ensure tight beam control
- Ozone tolerant neoprene seals
- Built in the UK using CNC machined bodies and UK made light engines.

## Operating Environment

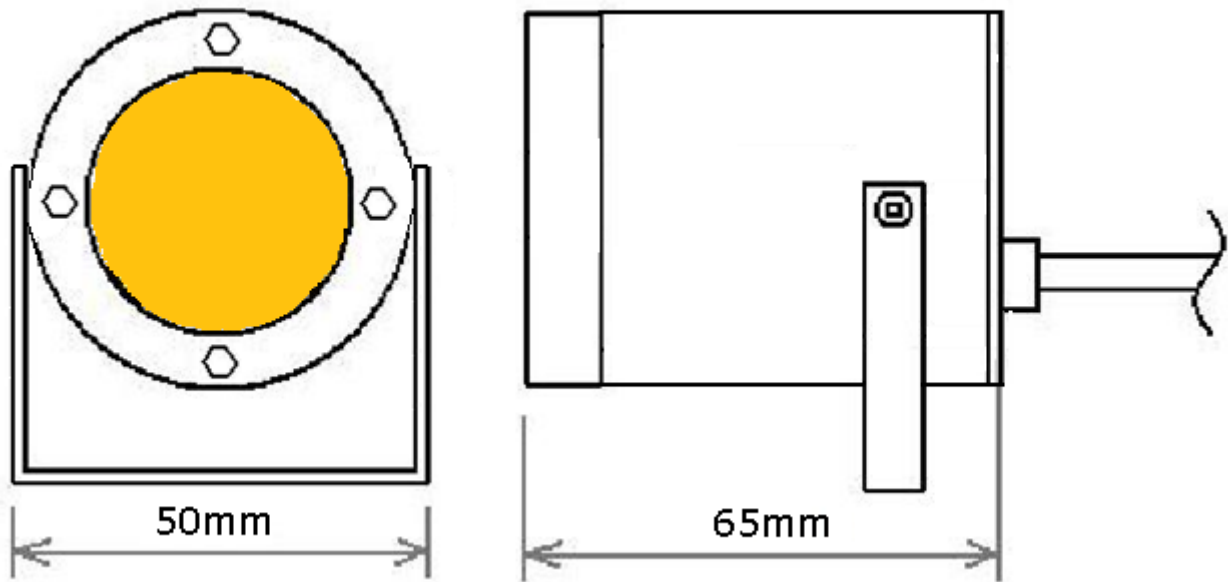
The unit is intended for indoor or outdoor use. The unit will operate satisfactorily in an ambient temperature range of  $-25^{\circ}\text{c}$  to  $30^{\circ}\text{c}$

## Absolute Maximum Ratings

Input Current: 700mA/Channel

Output Power: Internally limited to 4.5W

## Outline Drawing



## Wiring

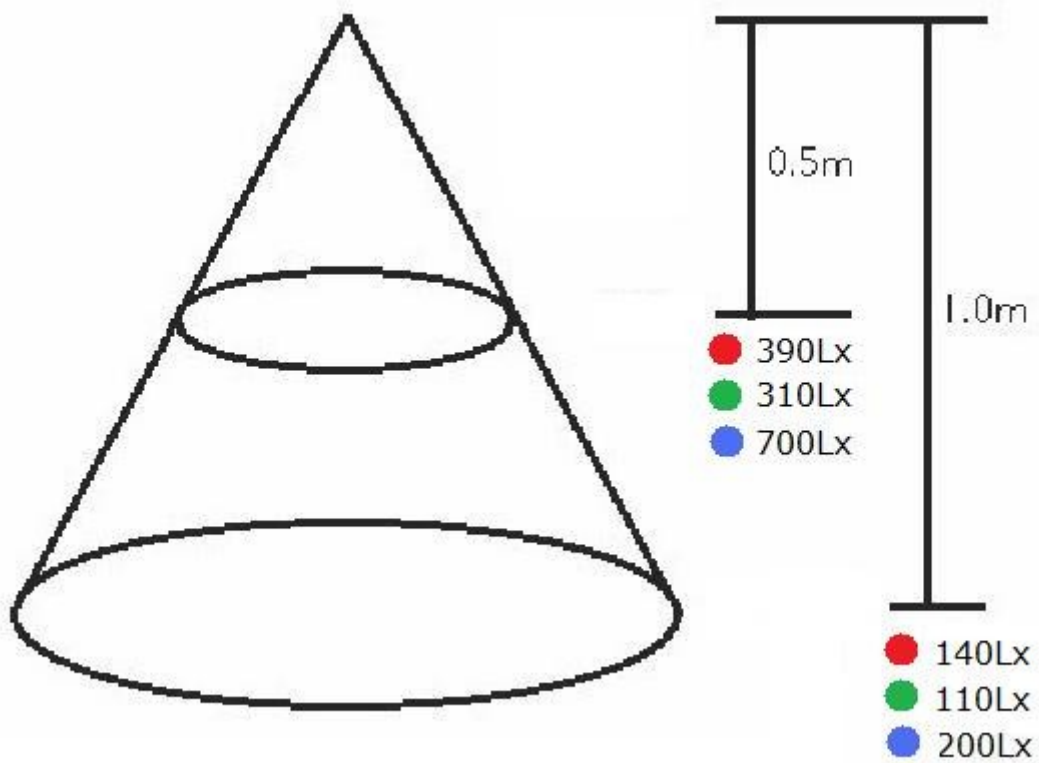
We recommend the use of an IP54 or IP68 Tee box to daisy-chain the lights together. For Tuneable White and RGBW versions, the lights require connection to a colour controller. For simple, one to four zone control there are very low cost controllers from Chinese manufacturers. Alternatively, to create more of a show there are many multi-zone programmable controllers available. A selection of controllers can be seen here:

<http://www.ledlightingproducts.co.uk/dmx%20controllers.html>

The RGBW versions have the following colour codes:

BLACK	connects to	12v	on controller
GREEN	connects to	BLUE	on controller
BROWN	connects to	GREEN	on controller
BLUE	connects to	WHITE	on controller
GREY	connects to	RED	on controller

## Photometric Measurements



The above measurements were taken from a production light with 25° optics fitted.

## Warranty

LED Lighting Products Ltd warrants that the product it manufactures and sells will be free from defects in materials and workmanship for a period of 12 months from the date of despatch. If the device proves defective within the respective period, LED Lighting will repair or replace the defective hardware at its sole discretion. If the failure is due to an operator error the user accepts to pay for any charge relating to the diagnosis of the hardware, faulty parts or shipping from our factory.

**LED Lighting Products Ltd makes no warranty of any kind, express or implied, including without limitation the implied warranties of merchantability and fitness for a particular purpose. In no event shall LED Lighting Products Ltd be liable for indirect, special or consequential damages.**

**Opening the unit voids the warranty as described above.**

## Contact Information

LED Lighting Products Ltd  
15 Lincoln Croft  
Shenstone  
Lichfield  
Staffordshire  
WS14 0ND  
United Kingdom

Tel: +44 1543 481532

Email: [sales@ledlightingproducts.co.uk](mailto:sales@ledlightingproducts.co.uk)

Website: [www.ledlightingproducts.co.uk](http://www.ledlightingproducts.co.uk)